

# SVS 40th Anniversary Shoot 2007

## Stage 1: Take the money and run

**RULES:** IPSC Handgun Rulebook January 2006.

**COURSE DESIGNER:** Team SVS

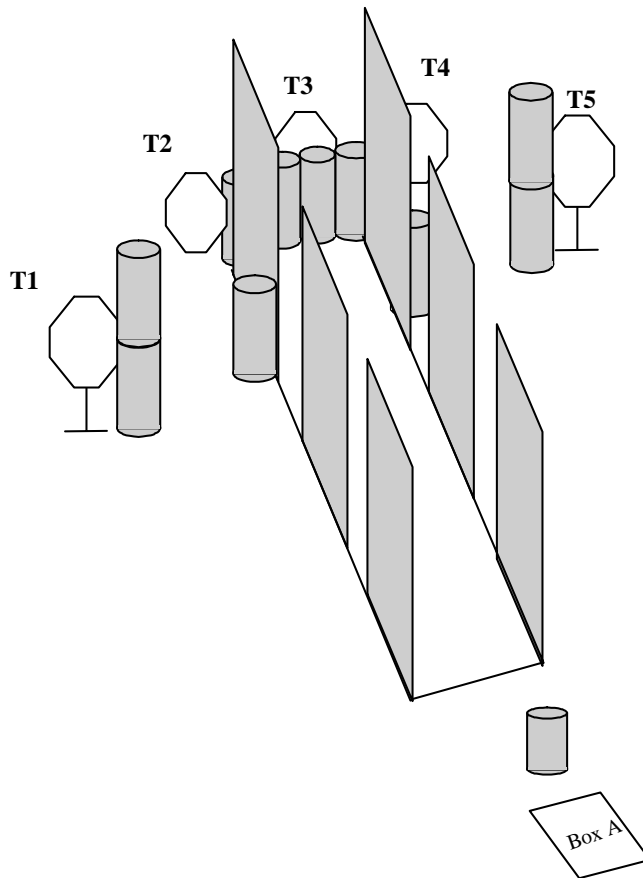
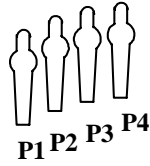
**START POSITION:** Standing in box A facing targets, hands at sides. Gun is loaded and holstered.

### STAGE PROCEDURE

On signal retrieve box from table and engage all targets as visible within fault lines. All shots must be fired while carrying the box by its handle.

### SCORING

**SCORING:** Comstock, 14 rounds, 70 points  
**TARGETS:** 5 IPSC Classic, 4 USP  
**SCORED HITS:** Best per IPSC, steel down = 1A  
**START-STOP:** Audible - Last shot  
**PENALTIES:** Procedural. -10  
 No-shoot hit. -10  
 Miss. -10



**SETUP NOTES:**

**RO NOTES:**

# SVS 40th Anniversary Shoot 2007

## Stage 2: Did I miss something?

**RULES:** IPSC Handgun Rulebook January 2006.

**COURSE DESIGNER:** Team SVS

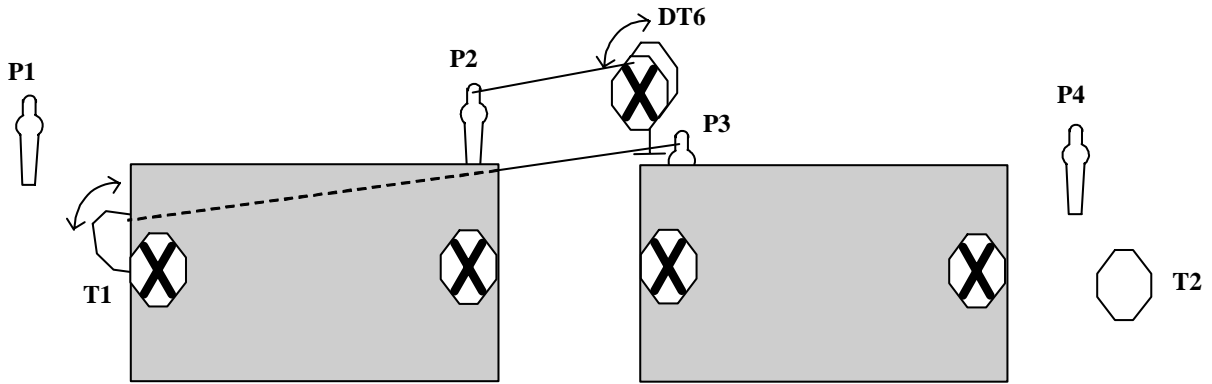
**START POSITION:** Stand with one foot on either X at the edge of the shooting box, other foot outside box, facing targets. Gun is loaded and holstered.

### STAGE PROCEDURE

On signal engage all targets from within fault lines of shooting box. P2 activates disappearing "bear trap" target DT6. P3 activates T1.

### SCORING

**SCORING:** Comstock, 18 rounds, 90 points  
**TARGETS:** 6 IPSC Classic, 6 USP  
**SCORED HITS:** Best per IPSC, steel down = 1A  
**START-STOP:** Audible - Last shot  
**PENALTIES:** Procedural. -10  
 No-shoot hit. -10  
 Miss. -10



**SETUP NOTES:**

**RO NOTES:**

# SVS 40th Anniversary Shoot 2007

## Stage 3: Swingin' away

**RULES:** IPSC Handgun Rulebook January 2006.

**COURSE DESIGNER:** Team SVS

**START POSITION:** Standing in box A facing targets, hands at sides of barrel. Gun with magazine inserted lies flat on barrel, with unloaded chamber.

**STAGE PROCEDURE**

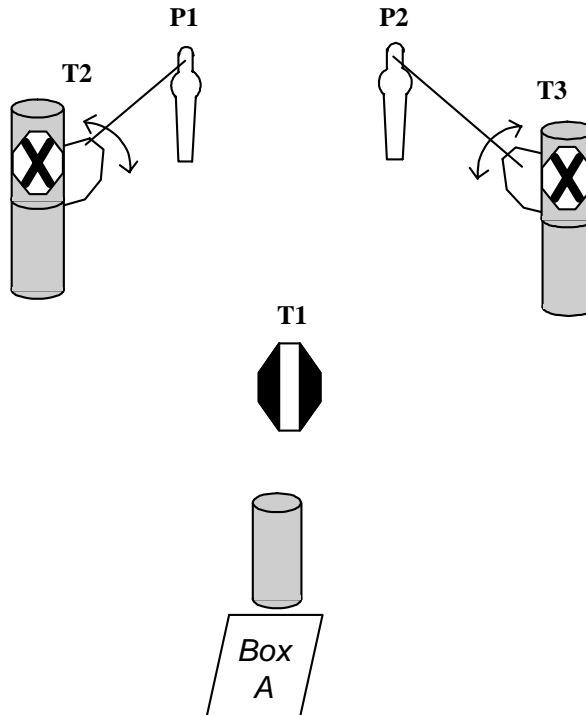
On signal engage all targets from box A. P1 activates T2, P2 activates T3.

**SCORING**

**SCORING:** Comstock, 9 rounds, 45 points  
**TARGETS:** 3 IPSC Classic, 3 USP  
**SCORED HITS:** Best per IPSC, steel down = 1A  
**START-STOP:** Audible - Last shot  
**PENALTIES:** Procedural. -10  
 No-shoot hit. -10  
 Miss. -10



P3



**SETUP NOTES:**

**RO NOTES:**

# SVS 40th Anniversary Shoot 2007

## Stage 4: Jump out of bed

**RULES:** IPSC Handgun Rulebook January 2006.

**COURSE DESIGNER:** Team SVS

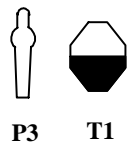
**START POSITION:** Lying face up on bed, flat, with hands under head. Gun with magazine inserted lies flat on table on either side of bed, with unloaded chamber.

### STAGE PROCEDURE

On signal engage all targets from within fault lines. P2 activates disappearing "bear trap" target DT2.

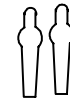
### SCORING

**SCORING:** Comstock, 9 rounds, 45 points  
**TARGETS:** 2 IPSC Classic, 5 USP  
**SCORED HITS:** Best per IPSC, steel down = 1A  
**START-STOP:** Audible - Last shot  
**PENALTIES:** Procedural. -10  
 No-shoot hit. -10  
 Miss. -10



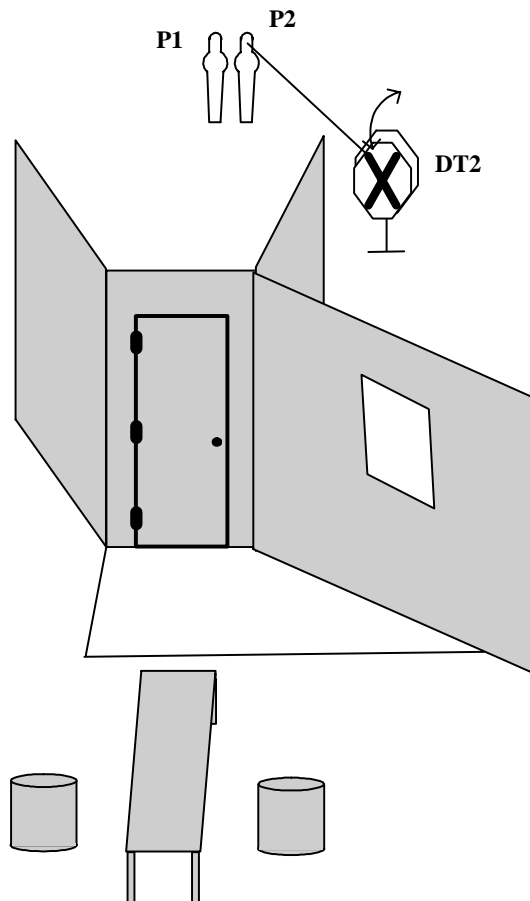
P3

T1



P4

P5



**SETUP NOTES:**

**RO NOTES:**

# SVS 40th Anniversary Shoot 2007

## Stage 5: Looking for targets

**RULES:** IPSC Handgun Rulebook January 2006.

**COURSE DESIGNER:** M. Jie Tjoe Foek

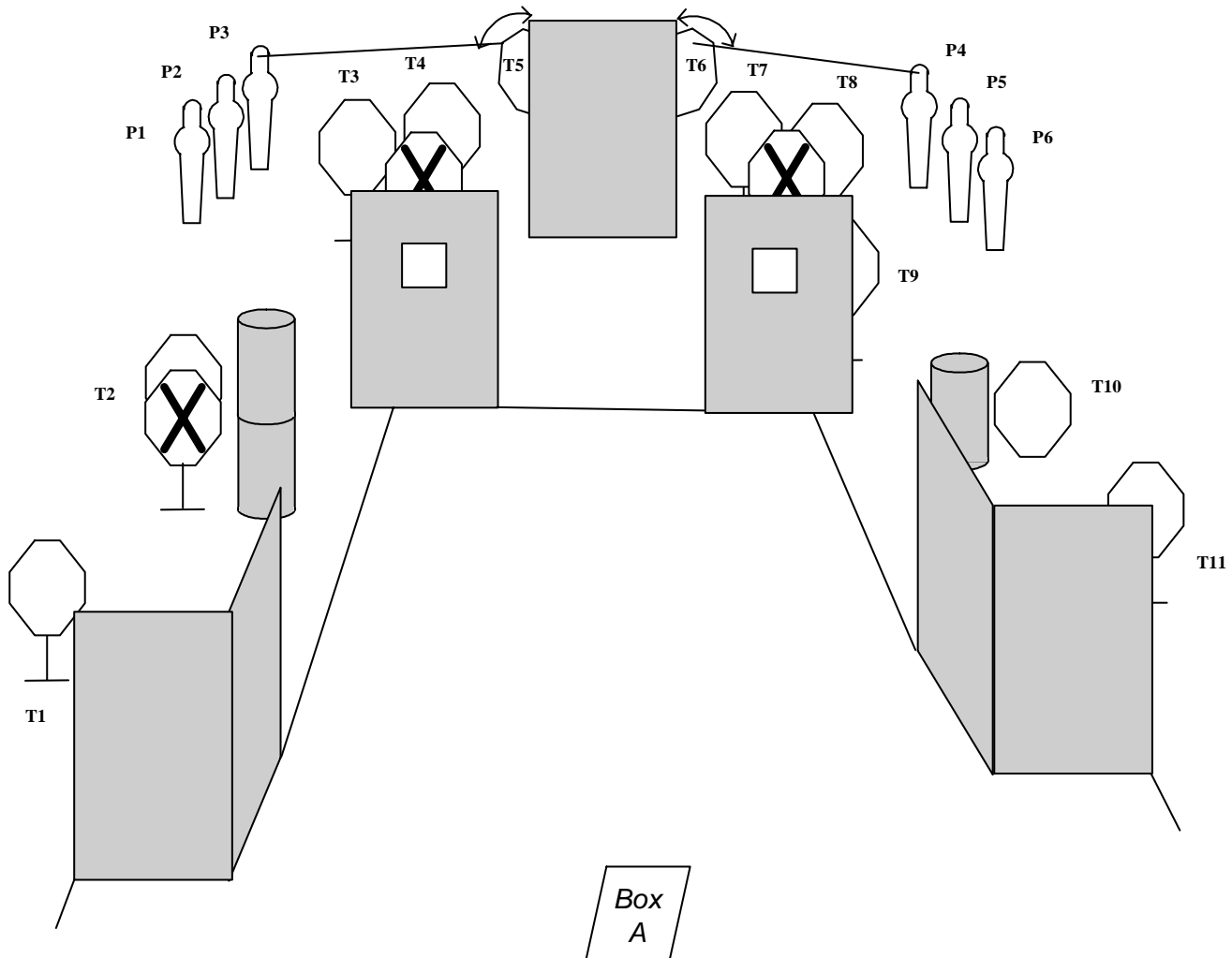
**START POSITION:** Standing in box A facing away from targets, hands at sides. Gun is loaded and holstered.

### STAGE PROCEDURE

On signal turn, draw and engage targets as they become visible within fault lines. P3 activates T5, P4 activates T6.

### SCORING

**SCORING:** Comstock, 28 rounds, 140 points  
**TARGETS:** 11 IPSC Classic, 6 USP  
**SCORED HITS:** Best per IPSC, steel down = 1A  
**START-STOP:** Audible - Last shot  
**PENALTIES:** Procedural. -10  
 No-shoot hit. -10  
 Miss. -10



**SETUP NOTES:**

**RO NOTES:**

Beware the 180.

# SVS 40th Anniversary Shoot 2007

## Stage 6: A quick turn

**RULES:** IPSC Handgun Rulebook January 2006.

**COURSE DESIGNER:** Team SVS

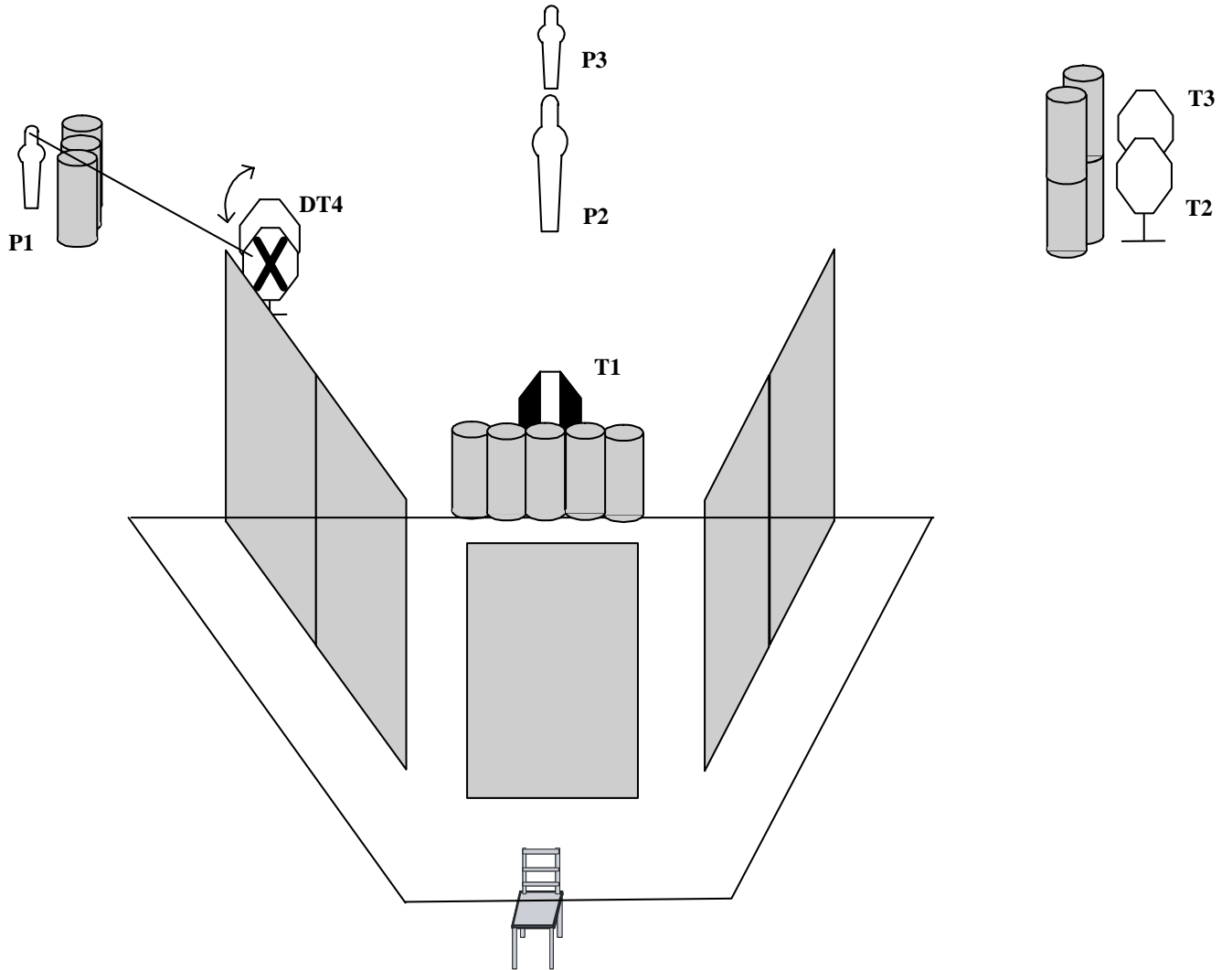
**START POSITION:** Sit on chair in surrender position, facing away from targets. Gun is loaded and holstered.

**STAGE PROCEDURE**

On signal turn, draw and engage targets as they become visible within fault lines. P1 activates disappearing "bear trap" target DT4.

**SCORING**

**SCORING:** Comstock, 11 rounds, 55 points  
**TARGETS:** 4 IPSC Classic, 2 USP, 1 PP  
**SCORED HITS:** Best per IPSC, steel down = 1A  
**START-STOP:** Audible - Last shot  
**PENALTIES:** Procedural. -10  
 No-shoot hit. -10  
 Miss. -10



**SETUP NOTES:**

**RO NOTES:**

# SVS 40th Anniversary Shoot 2007

## Stage 7: No one-eighty

**RULES:** IPSC Handgun Rulebook January 2006.

**COURSE DESIGNER:** Team SVS

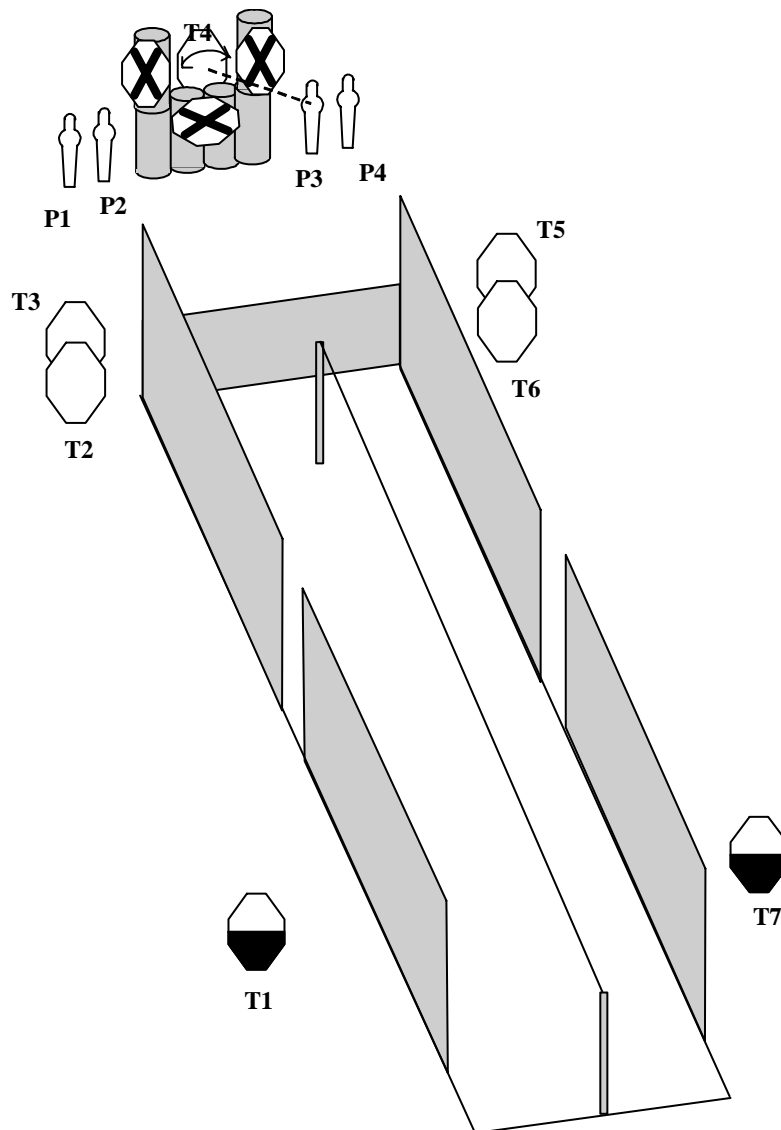
**START POSITION:** Stand with hands at sides, both heels against rear fault line, facing targets. Gun is loaded and holstered.

### STAGE PROCEDURE

On signal engage all targets from within fault lines as they become visible. P3 activates T4.

### SCORING

**SCORING:** Comstock, 18 rounds, 90 points  
**TARGETS:** 7 IPSC Classic, 4 USP  
**SCORED HITS:** Best per IPSC, steel down = 1A  
**START-STOP:** Audible - Last shot  
**PENALTIES:** Procedural. -10  
 No-shoot hit. -10  
 Miss. -10



**SETUP NOTES:**

**RO NOTES:**

Beware of 180, stay behind shooter.

# SVS 40th Anniversary Shoot 2007

## Stage 8: All over the place in 26 rds

**RULES:** IPSC Handgun Rulebook January 2006.

**COURSE DESIGNER:** S.Tsang

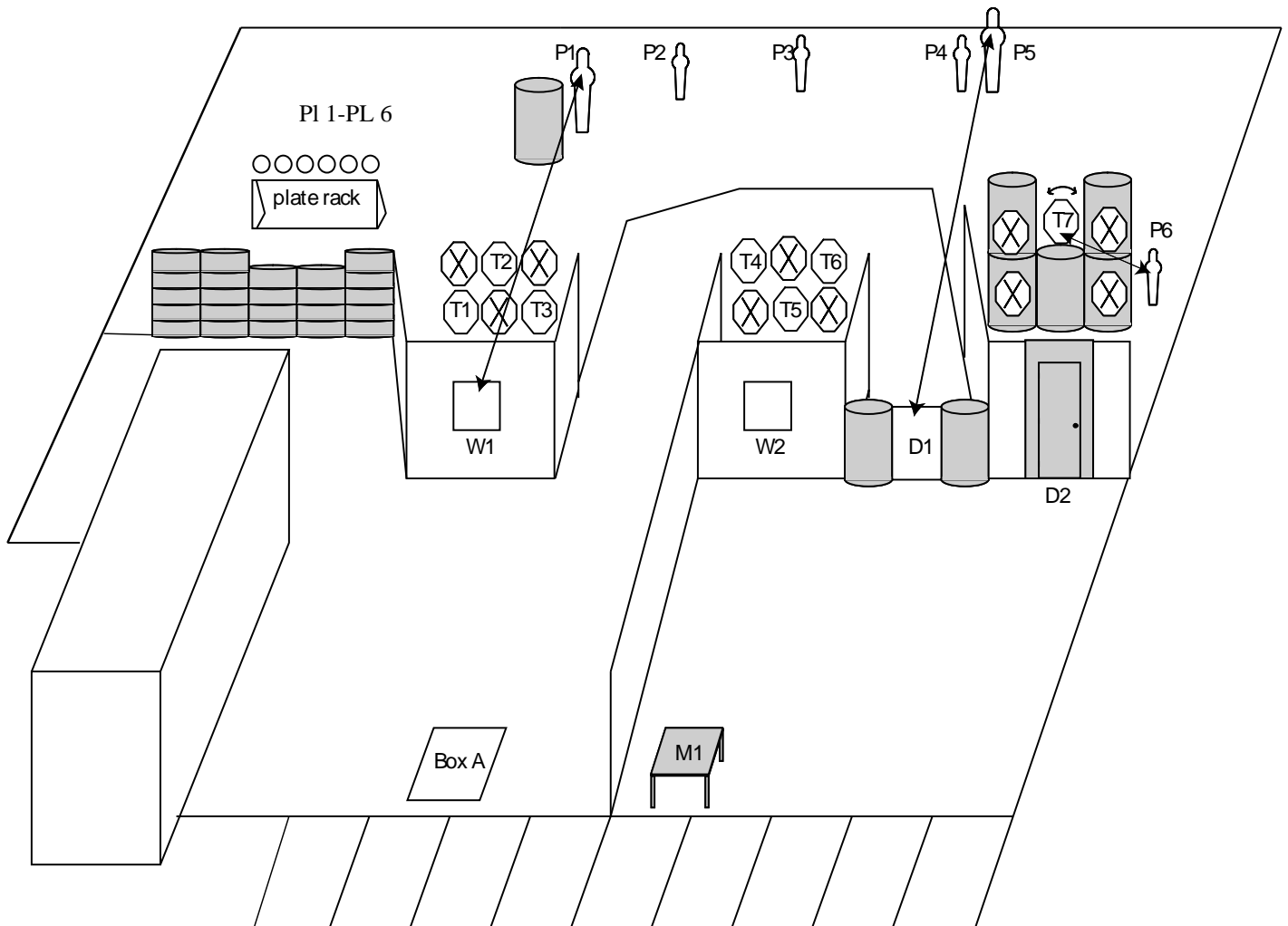
**START POSITION:** In box A, surrender position, facing away from targets. Gun is loaded and holstered. Additional magazines prohibited at the start.

### STAGE PROCEDURE

On signal turn, draw and engage targets as they become visible. Popper P1 opens window W1. W1 may not be opened manually. Popper P5 opens door D1. D1 may not be opened manually. Shooter may only pass through opened door D1. Popper P6 activates target T7. Additional magazines may be placed in position M1. Shooter starts with one magazine only.

### SCORING

**SCORING:** Comstock, 26 rounds, 130 points  
**TARGETS:** 7 IPSC Classic, 2 PP, 4 USP, plate rack  
**SCORED HITS:** Best per IPSC, steel down = 1A  
**START-STOP:** Audible - Last shot  
**PENALTIES:** Procedural. -10  
 No-shoot hit. -10  
 Miss. -10



**SETUP NOTES:**

**RO NOTES:**

Beware the 180. Stay behind shooter at all times